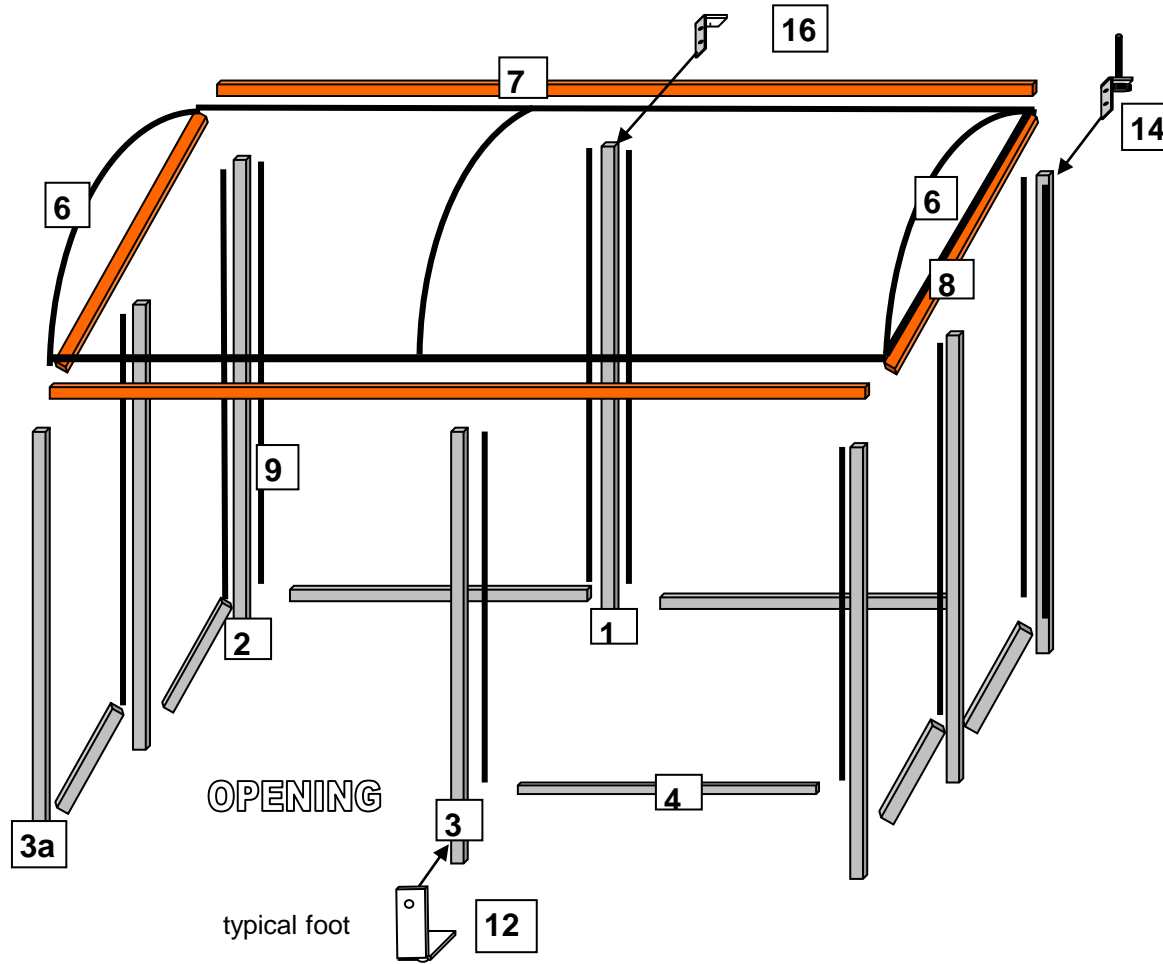


Configuration of NBS0808FS Smoking Shelter

issue 4

Component	Part No	Item Length	No
Uprights Double	A48FS-1C	1 2000	3
Uprights Corner	A48FS-2C	2 2000	3
Uprights Single LH	A48FS-3C	3 2000	1
Uprights Single RH	A48FS-3aC	3a 2000	1
Horizontals Full Bay	A48FS-8	4 998	7
Roof Ends x2	A88FS-1	6	2
Roof Side 2 Bay box	A48FS-4	7 2110	2
Roof End x2 Box	A88FS-2	8 2034	2
C Type Glazing Bead	A48FS-13	9 1792	14
Plastic Glazing Panels C Type	NBB910	1808x988	7
Std Foot "L" Assembly	A48FS-16	12	8
End Caps Square	NBB903		4
x2 Roof Trim	A88FS-3		1
Hex Head Drill Screws (small)	NBB901		4
Anchor Bolts	NBB915		8
Paint Stick	NBB914		1
Top Bracket (Stud)	A48FS-15	14	6
Top Bracket (Thread)	A48FS-16	16	2
M8 x 50 allen bolt	NBB906		2
Hex Head Drill Screws	NBB907		34
M6x12 poz screws	NBB902		16
M8x12 screw & washer	NBB909		8



Layout of Uprights & Roof Fixing NBS0808FS

Type of upright	Type of Top Bracket	No
Uprights Single LH	Top Bracket (Stud)	1
Uprights Double	Top Bracket (Stud)	2
Uprights Corner	Top Bracket (Stud)	3
Uprights Double	Top Bracket (Thread)	4
Uprights Corner	Top Bracket (Stud)	5
Uprights Double	Top Bracket (Stud)	6
Uprights Corner	Top Bracket (Stud)	7
Uprights Single RH	Top Bracket (Thread)	8

